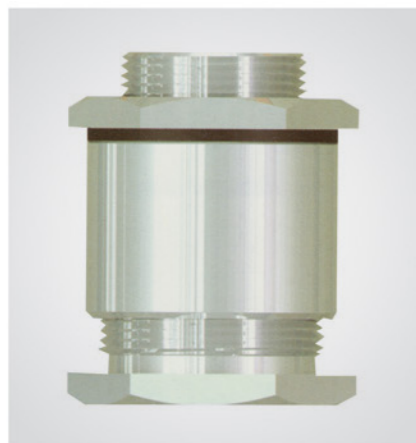


## TJ-船标·夹紧式

## TH-船标·焊接式

填料函 Cable gland 填料函 Cable gland

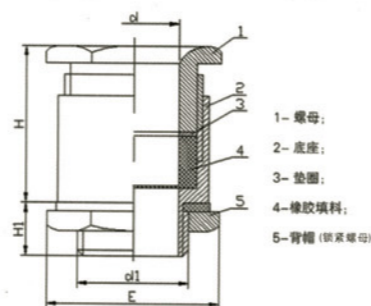


<b>材质</b> Material	黄铜、黄铜镀镍或不锈钢 (订货时请指明) Brass, brass nickel plated or stainless steel (When ordering, please specify)		
<b>特点</b> Features	适用于各种普通电缆 Applicable to all kinds of ordinary cable		
<b>密封件</b> Seals	丁腈橡胶(NBR) NBR	<b>防护等级</b> Degree of protection	IP56
<b>工作温度</b> COT	-40°C~100°C		



1.可配多层密封圈以便更大范围满足电缆外径。  
2.可配凹型密封圈可更好的夹紧密封电缆。

1.Can be equipped with multi-layer sealing ring in order to greater range to meet the outer diameter of cable  
2.Can be equipped with concave sealing ring in order to better clamping sealing cable



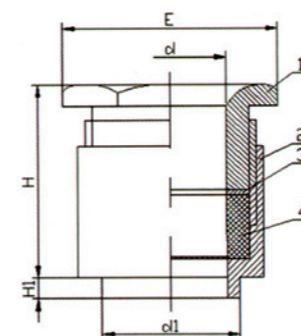
订购示例 (e.g.): TJ24

单位:mm

规格型号 Gland size	d	d1	H	H1	E	适用电缆外径 Cable size
TJ8	8	M14X1	27	10	22	5-7
TJ13	13	M18X1	30	11	25	6-12
TJ16	16	M22X1	36	11	34	11-15
TJ19	19	M27X1.5	37	14	39	14-18
TJ24	24	M30X1.5	41	14	46	17-23
TJ28	28	M36X2	44	14	52	22-27
TJ34	34	M42X2	49	14	57	26-33
TJ42	42	M52X2	54	14	71	32-41
TJ50	50	M58X2	54	20	78	40-49
TJ58	58	M68X3	59	20	90	48-57
TJ70	70	M78X3	59	20	102	56-69
TJ76	76	M86X3	60	20	111	68-75
TJ85	85	M100X3	65	20	136	74-84



<b>材质</b> Material	黄铜与碳钢或其它材质 (订货时请指明) Brass and steel or other materials (When ordering, please specify)		
<b>特点</b> Features	适用于各种普通电缆 Applicable to all kinds of ordinary cable		
<b>密封件</b> Seals	丁腈橡胶(NBR) NBR	<b>防护等级</b> Degree of protection	IP56
<b>工作温度</b> COT	-40°C~100°C		



订购示例 (e.g.): TH24

单位:mm

规格型号 Gland size	d	d1	H	H1	E	适用电缆外径 Cable size
Th8	8	13	27	4	20	5-7
TH13	13	17	31	4	25	6-12
TH16	16	22	37	5	33	11-15
TH19	19	25	39	5	37	14-18
TH24	24	30	43	5	44	17-23
TH28	28	35	43	6	52	22-27
TH34	34	42	51	6	58	26-33
TH42	42	50	55	7	69	32-41
TH50	50	58	53	8	78	40-49
Th58	58	66	58	8	90	48-57